



MAGNETIC MARINE LEVEL GAUGES

On request the product is available also with
the approval certificate of Lloyd's Register

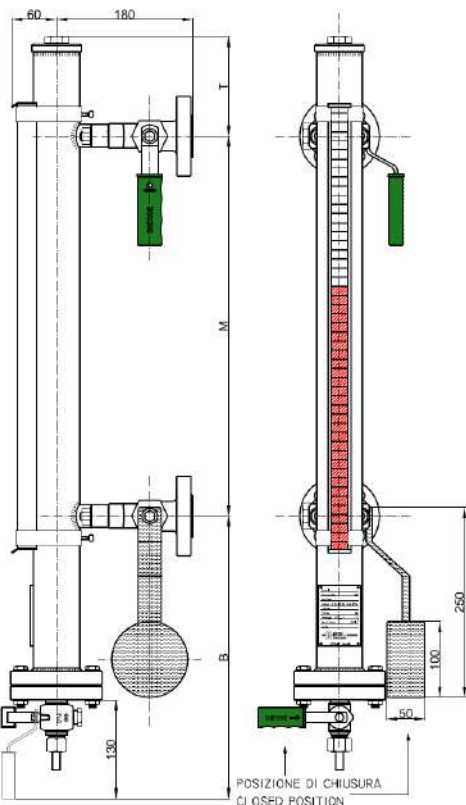
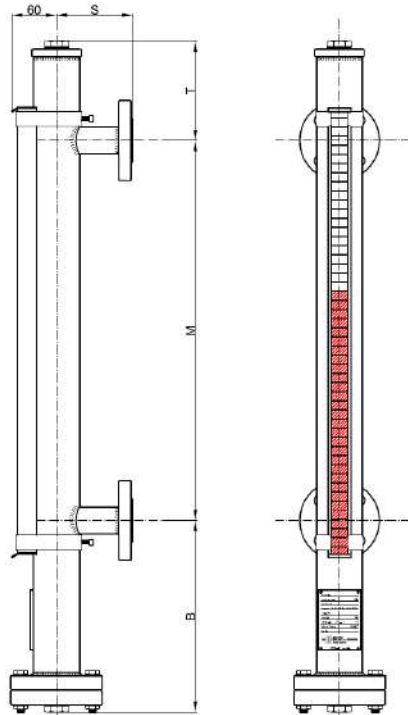


MAGNETIC LEVEL GAUGE

PN16 and PN25 / Class 150

DS MG - DS BP - SHP

Code: DS MG - DSBP - ... /16/RF - M... - SS/SS/.../SS - SHP



Technical data

Service conditions

Pressure: PN16 / PN25 / Class 150
 Temperature: up to 300°C
 Specific weight: $\geq 0,6 \text{ g/cm}^3$

Application

Fluid storage tanks also aboard of ships

View

Standard: adjustable on 360° in the installation phase

Distance M (Centre-to-centre)

On request, distances up to 5.600 mm in one sole piece (Fixed distance, not adjustable)
 Option: On request distances over 5.600 mm (Execution in several pieces)

Materials (Standard)

Main chamber: Stainless steel 316L ($\varnothing 60,3 \times 2 \text{ mm}$)
 Float: Stainless steel 316L ($\varnothing 50 \text{ mm}$)
 Titanium Grade 2 ($\varnothing 50 \text{ mm}$)
 Process connections: Stainless steel 316L (flanged, threaded pipes, butt weld pipes)
 With shut-off cocks in carbon steel ASTM A105 or stainless steel 316L
 Rollers: Brass with red and white epoxy paint, anodised aluminium housing, glass cover
 Stainless steel red and white, anodised aluminium housing, glass cover (Execution for high temperature)
 Options: roller display housing with stainless steel cover

Gaskets

Standard: graphite/AISI 316

Options: PTFE/AISI 316

Process connections

Standard flanges:	UNI PN16/40 DN15-20-25	ANSI #150/RF DN $\frac{1}{2}$ " - $\frac{3}{4}$ " - 1"
Standard threaded pipes:	BSP-M $\frac{1}{2}$ " - $\frac{3}{4}$ " - 1"	NPT-M $\frac{1}{2}$ " - $\frac{3}{4}$ " - 1"
	BSP-F $\frac{1}{2}$ " - $\frac{3}{4}$ " - 1"	NPT-F $\frac{1}{2}$ " - $\frac{3}{4}$ " - 1"
Standard butt weld pipes:	BW $\frac{1}{2}$ " - $\frac{3}{4}$ " - 1"	SW $\frac{1}{2}$ " - $\frac{3}{4}$ " - 1"

Options: further connections type or connections with cocks (See details at page 2.13 and 2.14)

Vent: Standard: threaded $\frac{1}{2}$ " with plug

Options: On request, with flange or with cock
 (See details at page 2.13 and page 2.14)

Drain: Standard: threaded $\frac{1}{2}$ " with plug

Options: On request, with flange or with cock
 (See details at page 2.13 and page 2.14)

Process connections with shut-off cocks: (See details at page 2.13 and page 2.14)

Cocks DS GR18: cylindrical plug type - Straight type - Quick 90° closing
 Lower cock with weight closing accessory for self closing

Dimensions

B = Distance depending on the specific weight of the fluid
 T = 130 mm (Standard); Option: on request
 S = 100 mm (Standard); Option: on request

Accessories

Shut-off cocks	(See details from page 2.13)
Drain cock	(See details from page 2.13)
Vent cock	(See details from page 2.13)
Calibrated scale	(See details from page 2.14)
Magnetic switches	(See details from page 2.15)
Level transmitter	(See details from page 2.29)

Weights

Magnetic level gauge: Kg. 12,0 approx. (With centre-to-centre 1.000 mm and flanges DN20 PN16)
 Cocks DS GR18 with weight closing for lower handle: Kg. 9,6 approx. (With flanges DN20 PN40)

Spare parts

For routine maintenance are not necessary spare parts.

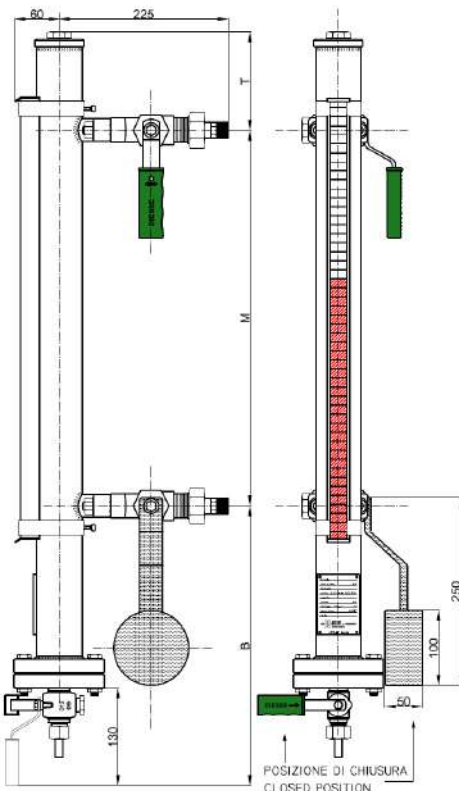
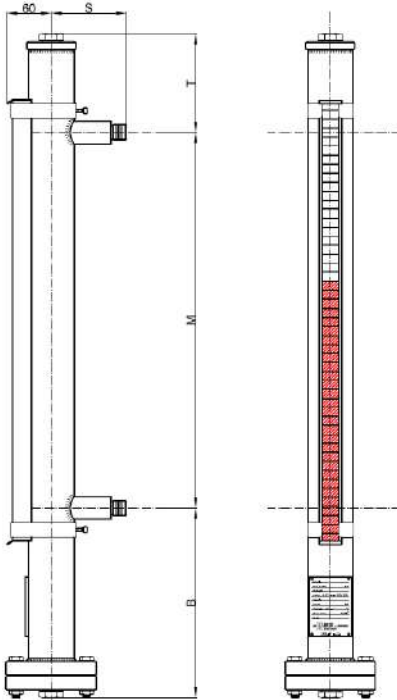
For cocks and valves see from page 1.72 of the catalogue relative to the glass level gauges.

MAGNETIC LEVEL GAUGE

PN16 and PN25 / Class 150

DS MG - DS BP - SHP

Code: DS MG - DSBP - 1/2" GAS-M - M...-SS/SS.../SS-SHP



Technical data

Service conditions

Pressure: PN16 / PN25 / Class 150
 Temperature: up to 300°C
 Specific weight: $\geq 0,6 \text{ g/cm}^3$

Application

Fluid storage tanks also aboard of ships

View

Standard: adjustable on 360° in the installation phase

Distance M (Centre-to-centre)

On request, distances up to 5.600 mm in one sole piece (Fixed distance, not adjustable)
 Option: On request distances over 5.600 mm (Execution in several pieces)

Materials (Standard)

Main chamber: Stainless steel 316L ($\varnothing 60,3 \times 2 \text{ mm}$)
 Float: Stainless steel 316L ($\varnothing 50 \text{ mm}$)
 Titanium Grade 2 ($\varnothing 50 \text{ mm}$)
 Process connections: Stainless steel 316L (flanged, threaded pipes, butt weld pipes)
 With shut-off cocks in carbon steel ASTM A105 or stainless steel 316L
 Rollers: Brass with red and white epoxy paint, anodised aluminium housing, glass cover
 Stainless steel red and white, anodised aluminium housing, glass cover (Execution for high temperature)
 Options: roller display housing with stainless steel cover

Gaskets

Standard: graphite/AISI 316

Options: PTFE/AISI 316

Process connections

Standard flanges:	UNI PN16/40 DN15-20-25	ANSI #150/RF DN 1/2" - 3/4" - 1"
Standard threaded pipes:	BSP-M 1/2" - 3/4" - 1"	NPT-M 1/2" - 3/4" - 1"
	BSP-F 1/2" - 3/4" - 1"	NPT-F 1/2" - 3/4" - 1"
Standard butt weld pipes:	BW 1/2" - 3/4" - 1"	SW 1/2" - 3/4" - 1"

Options: further connections type or connections with cocks (See details at page 2.13 and 2.14)

Vent: Standard: threaded 1/2" with plug

Options: On request, with flange or with cock
 (See details at page 2.13 and page 2.14)

Drain: Standard: threaded 1/2" with plug

Options: On request, with flange or with cock
 (See details at page 2.13 and page 2.14)

Process connections with shut-off cocks: (See details at page 2.13 and page 2.14)

Cocks DS GR18: cylindrical plug type - Straight type - Quick 90° closing
 Lower cock with weight closing accessory for self closing

Dimensions

B = Distance depending on the specific weight of the fluid
 T = 130 mm (Standard); Option: on request
 S = 100 mm (Standard); Option: on request

Accessories

Shut-off cocks	(See details from page 2.13)
Drain cock	(See details from page 2.13)
Vent cock	(See details from page 2.13)
Calibrated scale	(See details from page 2.14)
Magnetic switches	(See details from page 2.15)
Level transmitter	(See details from page 2.29)

Weights

Magnetic level gauge: Kg. 10,0 approx. (With centre-to-centre 1.000 mm and threads 1/2" BSP-M)
 Cocks DS GR18 with weight closing for lower handle: Kg. 7,2 approx. (With threads 1/2" BSP-M)

Spare parts

For routine maintenance are not necessary spare parts.

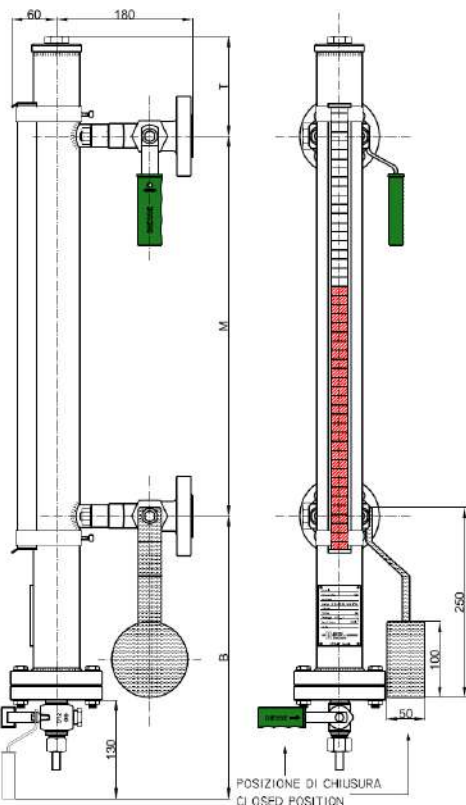
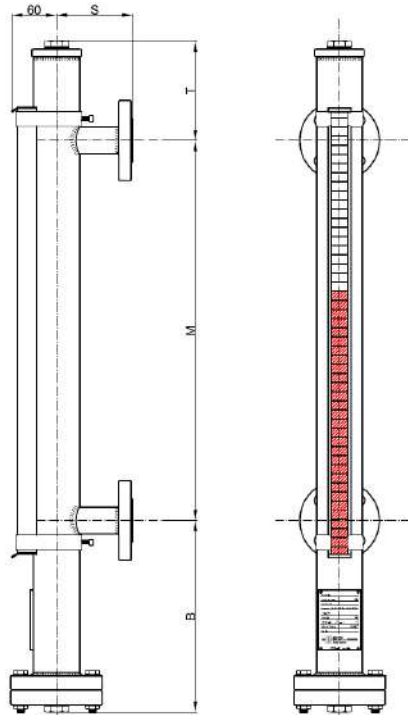
For cocks and valves see from page 1.72 of the catalogue relative to the glass level gauges.

MAGNETIC LEVEL GAUGE

PN40 / Class 300

DS MG - DS MP - SHP

Code: DS MG - DSMP - ... /40/RF - M... - SS/SS/.../SS - SHP



Technical data

Service conditions

Pressure: PN40 / Class 300
 Temperature: up to 300°C
 Specific weight: $\geq 0,6 \text{ g/cm}^3$

Application

Fluid storage tanks also aboard of ships

View

Standard: adjustable on 360° in the installation phase

Distance M (Centre-to-centre)

On request, distances up to 5.600 mm in one sole piece (Fixed distance, not adjustable)
 Option: On request distances over 5.600 mm (Execution in several pieces)

Materials (Standard)

Main chamber: Stainless steel 316L ($\varnothing 60,3 \times 2,77 \text{ mm}$)
 Float: Titanium Grade 2 ($\varnothing 50 \text{ mm}$) with reinforcements
 Process connections: Stainless steel 316L (flanged, threaded pipes, butt weld pipes)
 With shut-off cocks in carbon steel ASTM A105 or stainless steel 316L
 Rollers: Brass with red and white epoxy paint, anodised aluminium housing, glass cover
 Stainless steel red and white, anodised aluminium housing, glass cover (Execution for high temperature)
 Options: roller display housing with stainless steel cover

Gaskets

Standard: graphite/AISI 316

Options: PTFE/AISI 316

Process connections

Standard flanges:	UNI PN40 DN15-20-25	ANSI #300/RF DN $\frac{1}{2}$ " - $\frac{3}{4}$ " - 1"
Standard threaded pipes:	BSP-M $\frac{1}{2}$ " - $\frac{3}{4}$ " - 1"	NPT-M $\frac{1}{2}$ " - $\frac{3}{4}$ " - 1"
	BSP-F $\frac{1}{2}$ " - $\frac{3}{4}$ " - 1"	NPT-F $\frac{1}{2}$ " - $\frac{3}{4}$ " - 1"
Standard butt weld pipes:	BW $\frac{1}{2}$ " - $\frac{3}{4}$ " - 1"	SW $\frac{1}{2}$ " - $\frac{3}{4}$ " - 1"

Options: further connections type or connections with cocks (See details at page 2.13 and 2.14)

Vent: Standard: threaded $\frac{1}{2}$ " with plug

Options: On request, with flange or with cock
 (See details at page 2.13 and page 2.14)

Drain: Standard: threaded $\frac{1}{2}$ " with plug

Options: On request, with flange or with cock
 (See details at page 2.13 and page 2.14)

Process connections with shut-off cocks: (See details at page 2.13 and page 2.14)

Cocks DS GR18: cylindrical plug type - Straight type - Quick 90° closing
 Lower cock with weight closing accessory for self closing

Dimensions

B = Distance depending on the specific weight of the fluid
 T = 130 mm (Standard); Option: on request
 S = 100 mm (Standard); Option: on request

Accessories

Shut-off cocks	(See details from page 2.13)
Drain cock	(See details from page 2.13)
Vent cock	(See details from page 2.13)
Calibrated scale	(See details from page 2.14)
Magnetic switches	(See details from page 2.15)
Level transmitter	(See details from page 2.29)

Weights

Magnetic level gauge: Kg. 12,0 approx. (With centre-to-centre 1.000 mm and flanges DN20 PN40)
 Cocks DS GR18 with weight closing for lower handle: Kg. 9,6 approx. (With flanges DN20 PN40)

Spare parts

For routine maintenance are not necessary spare parts.

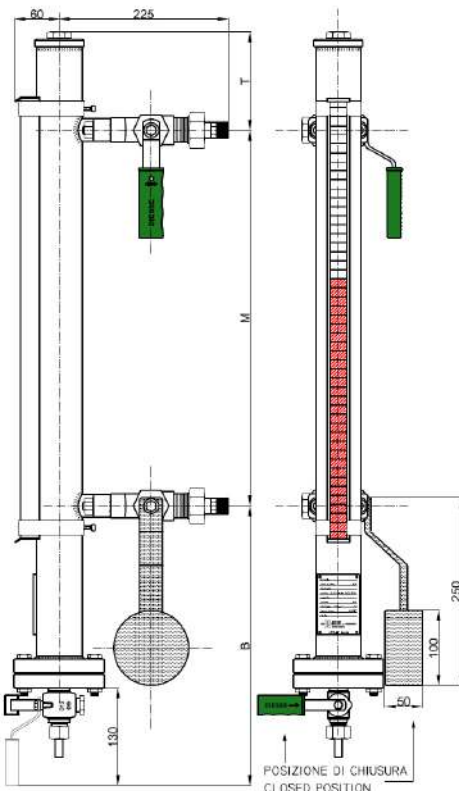
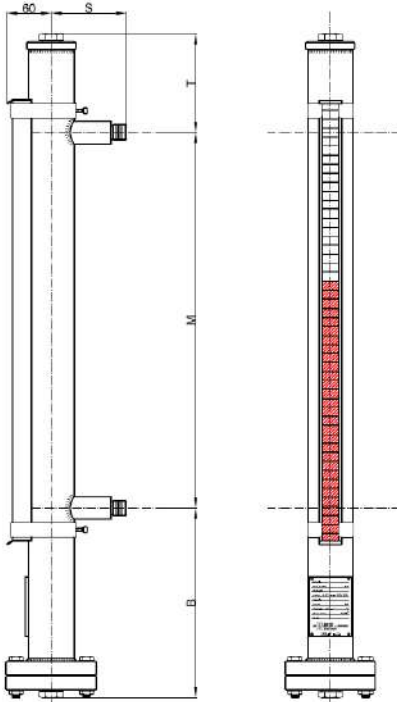
For cocks and valves see from page 1.72 of the catalogue relative to the glass level gauges.

MAGNETIC LEVEL GAUGE

PN40 / Class 300

DS MG - DS MP - SHP

Code: DS MG - DSBP - 1/2" GAS-M - M...-SS/SS.../SS-SHP



Technical data

Service conditions

Pressure: PN40 / Class 300
 Temperature: up to 300°C
 Specific weight: $\geq 0,6 \text{ g/cm}^3$

Application

Fluid storage tanks also aboard of ships

View

Standard: adjustable on 360° in the installation phase

Distance M (Centre-to-centre)

On request, distances up to 5.600 mm in one sole piece (Fixed distance, not adjustable)
 Option: On request distances over 5.600 mm (Execution in several pieces)

Materials (Standard)

Main chamber: Stainless steel 316L ($\varnothing 60,3 \times 2,77 \text{ mm}$)
 Float: Titanium Grade 2 ($\varnothing 50 \text{ mm}$) with reinforcements
 Process connections: Stainless steel 316L (flanged, threaded pipes, butt weld pipes)
 With shut-off cocks in carbon steel ASTM A105 or stainless steel 316L
 Rollers: Brass with red and white epoxy paint, anodised aluminium housing, glass cover
 Stainless steel red and white, anodised aluminium housing, glass cover (Execution for high temperature)
 Options: roller display housing with stainless steel cover

Gaskets

Standard: graphite/AISI 316

Options: PTFE/AISI 316

Process connections

Standard flanges:	UNI PN40 DN15-20-25	ANSI #300/RF DN 1/2" - 3/4" - 1"
Standard threaded pipes:	BSP-M 1/2" - 3/4" - 1"	NPT-M 1/2" - 3/4" - 1"
	BSP-F 1/2" - 3/4" - 1"	NPT-F 1/2" - 3/4" - 1"
Standard butt weld pipes:	BW 1/2" - 3/4" - 1"	SW 1/2" - 3/4" - 1"

Options: further connections type or connections with cocks (See details at page 2.13 and 2.14)

Vent: Standard: threaded 1/2" with plug Options: On request, with flange or with cock (See details at page 2.13 and page 2.14)

Drain: Standard: threaded 1/2" with plug Options: On request, with flange or with cock (See details at page 2.13 and page 2.14)

Process connections with shut-off cocks: (See details at page 2.13 and page 2.14)

Cocks DS GR18: cylindrical plug type - Straight type - Quick 90° closing
 Lower cock with weight closing accessory for self closing

Dimensions

B = Distance depending on the specific weight of the fluid
 T = 130 mm (Standard); Option: on request
 S = 100 mm (Standard); Option: on request

Accessories

Shut-off cocks	(See details from page 2.13)
Drain cock	(See details from page 2.13)
Vent cock	(See details from page 2.13)
Calibrated scale	(See details from page 2.14)
Magnetic switches	(See details from page 2.15)
Level transmitter	(See details from page 2.29)

Weights

Magnetic level gauge: Kg. 10,0 approx. (With centre-to-centre 1.000 mm and threads 1/2" BSP-M)
 Cocks DS GR18 with weight closing for lower handle: Kg. 7,2 approx. (With threads 1/2" BSP-M)

Spare parts

For routine maintenance are not necessary spare parts.

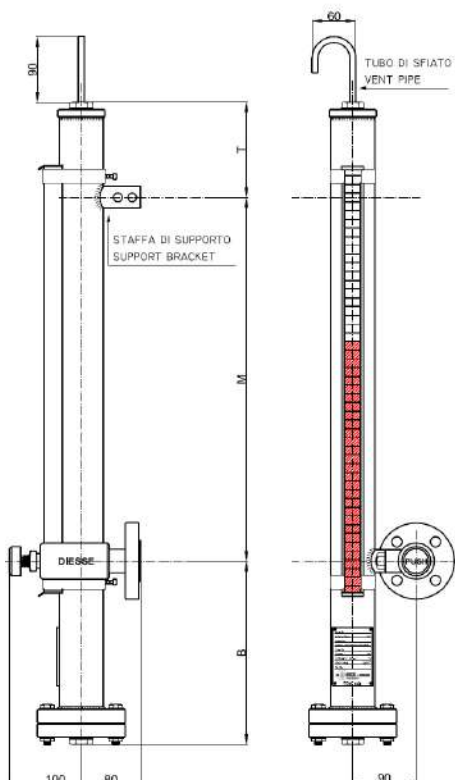
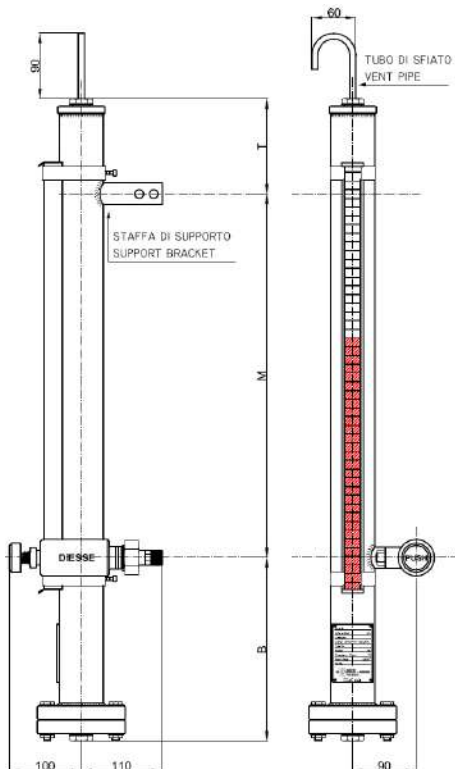
For cocks and valves see from page 1.72 of the catalogue relative to the glass level gauges.

MAGNETIC LEVEL GAUGE

PN16

DS MG - DS BP - NPV - SHP

Code: DS MG-DSBP-... /16/RF-M...- SS/SS/.../SS-NPV- SHP



Technical data

Service conditions

Pressure: PN16
Temperature: up to 150°C
Specific weight: $\geq 0,6 \text{ g/cm}^3$

Application

Fluid storage tanks also aboard of ships

View

Standard: adjustable on 360° in the installation phase

Distance M (Centre-to-centre)

On request, distances up to 5.600 mm in one sole piece (Fixed distance, not adjustable)
Option: On request distances over 5.600 mm (In several pieces)

Materials (Standard)

Main chamber: Stainless steel 316L ($\varnothing 60,3 \times 2 \text{ mm}$)
Float: Stainless steel 316L ($\varnothing 50 \text{ mm}$)
Titanium Grade 2 ($\varnothing 50 \text{ mm}$)
Process connections: Self closing valve DS NPV, push button type in carbon steel ASTM A105 galvanized or stainless steel 316L
Rollers: Brass with red and white epoxy paint, anodised aluminium housing, glass cover
Options: roller display housing with stainless steel cover

Gaskets

Standard: graphite/AISI 316

Options: PTFE/AISI 316

Self-closing Valve

DS NPV: self-closing, push button type
Handling: opening by push button (Standard: valve on the right side; On request on the left side)

Process connection:

Standard flange: UNI PN16 DN15-20-25 ANSI #150/RF DN 1/2" - 3/4" - 1"
Standard threaded union: BSP-M 1/2" - 3/4" NPT-M 1/2" - 3/4"

Option: further connection types

Vent: Standard: threaded 1/2" with vent pipe Option: on request (see details at page 1.52)

Drain: Standard: threaded 1/2" with plug Option: on request (see details at page 1.52)

Dimensions

B = Distance depending on the specific weight of the fluid
T = 130 mm (Standard); Option: on request

Accessories

Shut-off cocks (see details from page 2.13)
Drain cock (see details from page 2.13)
Vent cock (see details from page 2.13)
Calibrated scale (see details from page 2.14)
Magnetic switches (see details from page 2.15)
Level transmitter (see details from page 2.29)

Weights

Magnetic level gauge: Kg. 13,5 approx. (with centre-to-centre 1.000 mm and valve DS NPV flanged DN20 PN16)

Spare parts

For routine maintenance are not necessary spare parts.

For valve DS NPV: see from page 1.74 (drawing with components and parts list see page 1.67) of the catalogue relative to the glass level gauges.